



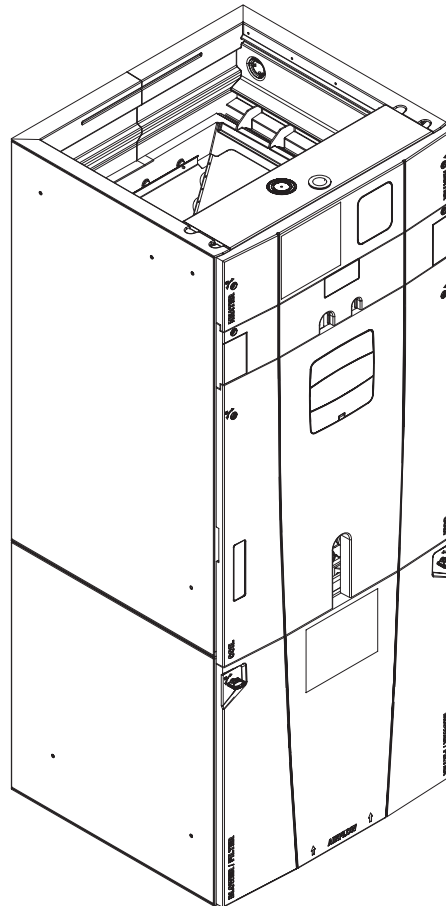
**TRANE®**

# Variable Speed Modular Multi-position Air Handlers 2-5 Tons

---

**TAM7A0A24H21SB**  
**TAM7A0B30H21SB**  
**TAM7A0C36H31SB**  
**TAM7A0C42H31SB**

**TAM7A0C48H41SB**  
**TAM7A0C60H51SB**  
**TAM7B0C60H51SA**



---

**PUB. NO. 22-1847-04**



## Features and Benefits

---

- Unique cabinet design
  - 2% or less air leakage
  - Precision applied - durable door seals
  - Specially designed air seal around refrigerant, condensate and conduit connections
  - Double wall foamed cabinet system
  - R-4.2 Insulating Value (Avg Insulating Value R-8.2)
  - No loose fiber design
  - Smooth cleanable interior design
  - Sweat eliminating design
  - Composite foamed cabinet doors
  - Water proof cabinet design
  - Integrated horizontal drain pans
  - Modular cabinet
- Multi-position up/down flow horizontal left/right
- Side return option (sold as accessory)
- Control board protection pocket built into cabinet wall
- Premarked Conduit Connection Locations
- Alert port to view control board codes without door removal
- Alert code notification
- Low voltage terminal connection point
- Phillips head door fasteners
- **Vortica®** blower with polarized plug connections and integrated slide deck for easy removal
- Aluminum coil with integrated slide deck for easy removal and polarized plug connections on coil EEV
- Patented enhanced coil fin
- Electronic Expansion Valve (EEV) with low ambient and low superheat compressor protection
- Dual refrigerant compatible as shipped
- Slide in electric heaters with polarized plug connections (sold as accessory)
- Slide in hot water coils with polarized plug connections (sold as accessory)
- UVC light kit with safety switch and polarized plug connections (sold as accessory)
- Labeled panels and connections
- Molded in 1" standard filter rail
- Variable speed ECM motor
- Soft start fan motor operation
- **Comfort R™** mode
- Built in fan delay modes
- Maximum width of 23.5"
- Compact 20.8" depth with doors removed
- Fused 24v power
- Safety door switch
- **5 year warranty**
- **10-year warranty registered**
- **Optional extended warranty available**



# Contents

---

<b>Features and Benefits</b>	<b>2</b>
Optional Equipment	<b>4</b>
<b>Unique Cabinet Design Features and Benefits</b>	<b>5</b>
<b>General Data</b>	<b>6</b>
TAM7A0A24H21SB	<b>6</b>
TAM7A0B30H21SB	<b>6</b>
TAM7A0C36H31SB	<b>6</b>
TAM7A0C42H31SB	<b>6</b>
TAM7A0C48H41SB	<b>6</b>
TAM7A0C60H51SB	<b>6</b>
TAM7B0C60H51SA	<b>6</b>
<b>Performance Data</b>	<b>7</b>
<b>Electrical Data</b>	<b>13</b>
<b>Field Wiring</b>	<b>20</b>
<b>Convertibility</b>	<b>24</b>
<b>Dimensions</b>	<b>25</b>

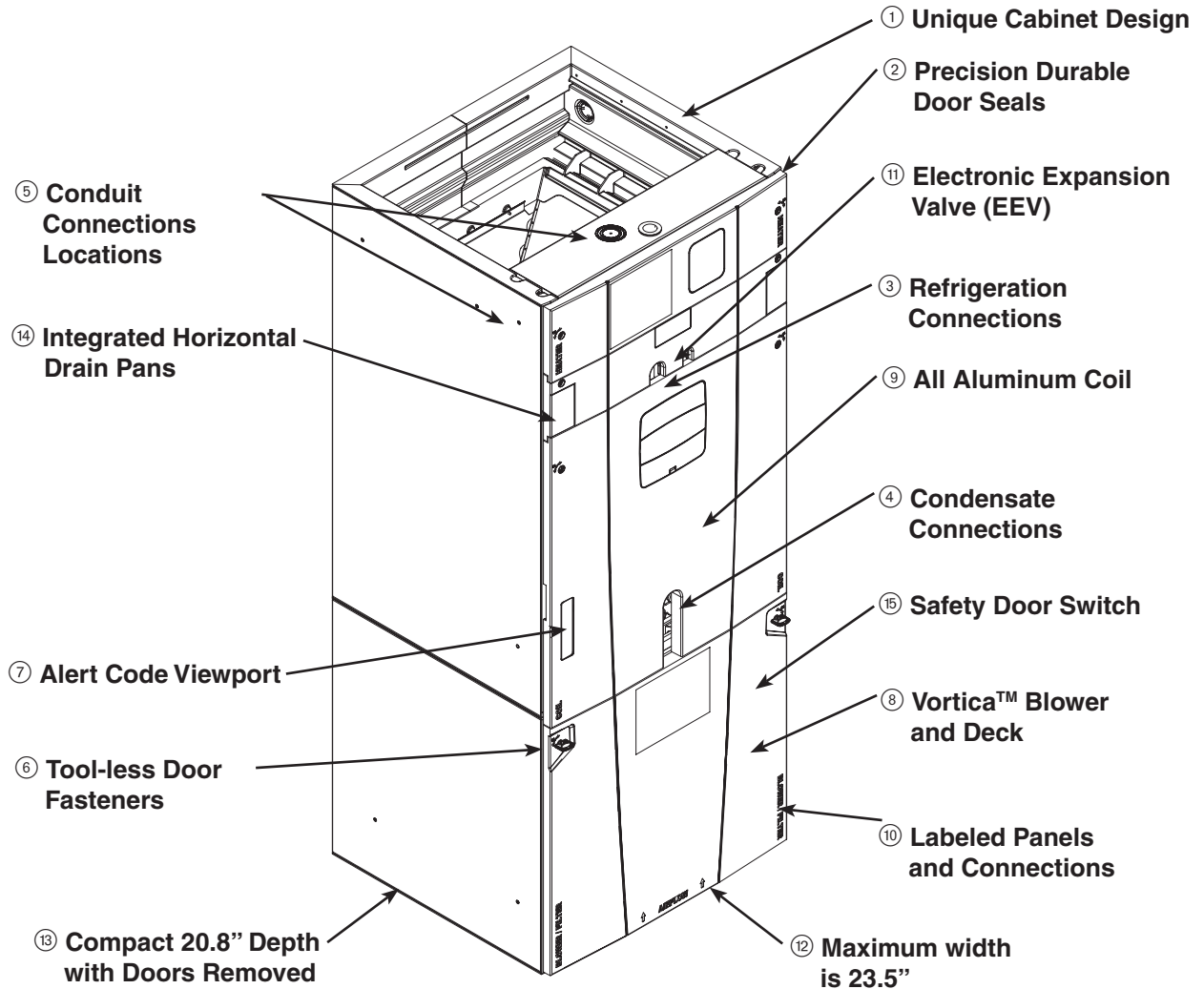


# Optional Equipment

## OPTIONAL EQUIPMENT FOR AIR HANDLERS

Accessory Number	Description	Fits Cabinet Size
BAYEVAC05BK1AA	Electric Heater, 5kW, Breaker, RS-485 Control, 1 Ph	A to C
BAYEVAC05LG1AA	Electric Heater, 5kW, Lugs, RS-485 Control, 1 Ph	A to C
BAYEVAC08BK1AA	Electric Heater, 8kW, Breaker, RS-485 Control, 1 Ph	A to C
BAYEVAC08LG1AA	Electric Heater, 8kW, Lugs, RS-485 Control, 1 Ph	A to C
BAYEVAC10BK1AA	Electric Heater, 10kW, Breaker, RS-485 Control, 1 Ph	A to C
BAYEVAC10LG1AA	Electric Heater, 10kW, Lugs, RS-485 Control, 1 Ph	A to C
BAYEVBC15BK1AA	Electric Heater, 15kW, Breaker, RS-485 Control, 1 Ph	B to C
BAYEVBC20BK1AA	Electric Heater, 20kW, Breaker, RS-485 Control, 1 Ph	C
BAYEVCC25BK1AA	Electric Heater, 25kW, Breaker, RS-485 Control, 1 Ph	C
BAYEVAC10LG3AA	Electric Heater, 10kW, Lugs, RS-485 Control, 3 Ph	A to C
BAYEVBC15LG3AA	Electric Heater, 15kW, Lugs, RS-485 Control, 3 Ph	B to C
BAYSUPFLGAA	Supply Duct Flange A	A
BAYSUPFLGBA	Supply Duct Flange B	B
BAYSUPFLGCA	Supply Duct Flange C	C
BAYRETFLGAA	Return Duct Flange A	A
BAYRETFLGB	Return Duct Flange B	B
BAYRETFLGCA	Return Duct Flange C	C
BAYSRKIT100A	Side Return Kit	A to C
TASB175SB	Plenum Stand with integrated sound baffle A	A
TASB215SB	Plenum Stand with integrated sound baffle B	B
TASB235SB	Plenum Stand with integrated sound baffle C	C
MITISRKIT01A	Side Return Kit with filter	A to C
BAYICKIT01A	Internal Condensate Switch Kit	A to C
BAYHHKIT001A	Horizontal Hanger Kit	A to C
BAYUVCLK001A	UVC Lights	A to C
BAYLVKIT100A	Low Voltage Conduit Entry Kit	A to C
BAYSPEKT200A	Single Power Entry Kit	A to C
BAYWVAA05SC1AA	Hydronic Coil - 50,000 BTUH - Slide-in with control	A to A
BAYWVBB07SC1AA	Hydronic Coil - 70,000 BTUH - Slide-in with control	B to B
BAYWVCC08SC1AA	Hydronic Coil - 80,000 BTUH - Slide-in with control	C to C
BAYWACC11SC1AA	Hydronic Coil - 100,000 BTUH - Add-on	C to C
BAYWVBRD485A	RS-485 Control for BAYWACC11SC1AA	C to C

# Unique Cabinet Design Features and Benefits



① **Unique Cabinet Design**

- Double wall foamed cabinet system
- Waterproof Cabinet Design
- R-4.2 Insulating Value (Avg Insulating Value R-8.2)
- Composite Foamed Cabinet Doors
- Sweat Eliminating Cabinet Design
- Loose Fiber Eliminating Design
- Smooth Cleanable Cabinet Design

② **Precision Durable Door Seals**

③ **Refrigeration Connections**

④ **Condensate Connections**

- ⑤ **Conduit Connection Locations** - Dimples or target to mark Conduit Connection locations on Left, Right, and Top

⑥ **Tool-less Door Fasteners**

⑦ **Alert Code Viewport**

- Alert Codes can be Viewed Without Door Removal
- Control Protection Pocket

- ⑧ **Vortica™ Blower and Deck** - Polarized Plug on Blower

⑨ **All Aluminum Coil**

- Integrated Slide Deck for Easy Removal
- Polarized Plug connections on Coil EEV
- Patented Enhanced Coil Fin

⑩ **Labeled Panels and Connections**

⑪ **Electronic Expansion Valve (EEV)**

- Low Ambient and Low Superheat Protection
- Dual Refrigerant Compatible as Shipped

⑫ **Maximum width is 23.5"**

⑬ **Compact 20.8" Depth with Doors Removed**

⑭ **Integrated Horizontal Drain Pans**

⑮ **Safety Door Switch** - Fused 24V Power

⑯ **Modular Cabinet**



**TRANE®**

# General Data

## PRODUCT SPECIFICATIONS

MODEL	TAM7A0A24H21SB	TAM7A0B30H21SB	TAM7A0C36H31SB
<b>RATED VOLTS/PH/HZ.</b>	200-230/1/60	200-230/1/60	200-230/1/60
<b>RATINGS</b> ①	See O.D. Specifications		
<b>INDOOR COIL — Type</b>	Plate Fin	Plate Fin	Plate Fin
Rows — F.P.I.	3 - 14	3 - 14	3 - 14
Face Area (sq. ft.)	3.67	5.04	5.50
Tube Size (in.)	3/8	3/8	3/8
Refrigerant Control	EEV	EEV	EEV
Drain Conn. Size (in.) ②	3/4 NPT	3/4 NPT	3/4 NPT
<b>DUCT CONNECTIONS</b>	See Outline Drawing		
<b>INDOOR FAN — Type</b>	Centrifugal	Centrifugal	Centrifugal
Diameter-Width (In.)	11 X 8	11 X 10	11 X 10
No. Used	1	1	1
Drive - No. Speeds	Direct - Variable	Direct - Variable	Direct - Variable
CFM vs. in. w.g.	See Fan Performance Table		
No. Motors — H.P.	1 - 1/2	1 - 1/2	1 - 1/2
Motor Speed R.P.M.	Variable ECM	Variable ECM	Variable ECM
Volts/Ph/Hz	208-230/1/60	208-230/1/60	208-230/1/60
F.L. Amps	3.0	3.0	3.0
<b>FILTER</b>			
Filter Furnished?	No	No	No
Type Recommended	Throwaway	Throwaway	Throwaway
No.-Size-Thickness	1 - 16 X 20 - 1 in.	1 - 20 X 20 - 1 in.	1 - 22 X 20 - 1 in.
<b>REFRIGERANT</b>	<b>R-410A</b>	<b>R-410A</b>	<b>R-410A</b>
Ref. Line Connections	Brazed	Brazed	Brazed
Coupling or Conn. Size — in. Gas	3/4	3/4	7/8
Coupling or Conn. Size — in. Liq.	3/8	3/8	3/8
<b>DIMENSIONS</b>	H x W x D	H x W x D	H x W x D
Crated (In.)	51-1/2 x 19 x 23-1/2	56-1/2 x 23 x 23-1/2	57-1/4 x 25-1/4 x 23-1/2
Uncrated	49-7/8 x 17-1/2 x 21-3/4	55-11/16 x 21-5/16 x 21-3/4	56-15/16 x 23-1/2 x 21-3/4
<b>WEIGHT</b>			
Shipping (Lbs.)/Net (Lbs.)	127/116	150/138	157/146

## PRODUCT SPECIFICATIONS

MODEL	TAM7A0C42H31SB	TAM7A0C48H41SB	TAM7A0C60H51SB,TAM7B0C60H51SA
<b>RATED VOLTS/PH/HZ.</b>	200-230/1/60	200-230/1/60	200-230/1/60
<b>RATINGS</b> ①	See O.D. Specifications		
<b>INDOOR COIL — Type</b>	Plate Fin	Plate Fin	Plate Fin
Rows — F.P.I.	4 - 14	4 - 14	4 - 14
Face Area (sq. ft.)	5.04	5.96	5.96
Tube (in.)	3/8	3/8	3/8
Refrigerant Control	EEV	EEV	EEV
Drain Conn. Size (in.) ②	3/4 NPT	3/4 NPT	3/4 NPT
<b>DUCT CONNECTIONS</b>	See Outline Drawing		
<b>INDOOR FAN — Type</b>	Centrifugal	Centrifugal	Centrifugal
Diameter-Width (In.)	11 X 10	11 X 10	11 X 10
No. Used	1	1	1
Drive - No. Speeds	Direct - Variable	Direct - Variable	Direct - Variable
CFM vs. in. w.g.	See Fan Performance Table		
No. Motors — H.P.	1 - 1/2	1 - 3/4	1 - 1
Motor Speed R.P.M.	Variable ECM	Variable ECM	Variable ECM
Volts/Ph/Hz	208-230/1/60	208-230/1/60	208-230/1/60
F.L. Amps	3.0	4.2	5.5
<b>FILTER</b>			
Filter Furnished?	No	No	No
Type Recommended	Throwaway	Throwaway	Throwaway
No.-Size-Thickness	1 - 22 X 20 - 1 in.	1 - 22 X 20 - 1 in.	1 - 22 X 20 - 1 in.
<b>REFRIGERANT</b>	<b>R-410A</b>	<b>R-410A</b>	<b>R-410A</b>
Ref. Line Connections	Brazed	Brazed	Brazed
Coupling or Conn. Size — in. Gas	7/8	7/8	7/8
Coupling or Conn. Size — in. Liq.	3/8	3/8	3/8
<b>DIMENSIONS</b>	H x W x D	H x W x D	H x W x D
Crated (In.)	57-1/4 x 25-1/4 x 23-1/2	62-3/4 x 25-1/4 x 23-1/2	62-3/4 x 25-1/4 x 23-1/2
Uncrated	56-15/16 x 23-1/2 x 21-3/4	61-3/4 x 23-1/2 x 21-3/4	61-11/16 x 23-1/2 x 21-3/4
<b>WEIGHT</b>			
Shipping (Lbs.)/Net (Lbs.)	162/151	175/163	175/163

① These Air Handlers are AHRI. certified with various Split System Air Conditioners and Heat Pumps (AHRI STANDARD 210/240). Refer to the Split System Outdoor Unit Product Data Guides for performance data.

② 3/4" Male Plastic Pipe (Ref.: ASTM 1785-76)

TAM7A0A24 AIRFLOW PERFORMANCE CONSTANT CFM MODE / CONSTANT TORQUE MODE														
OUTDOOR MULTIPLIER (TONS)	COOLING AIRFLOW SETTING	Airflow Power	EXTERNAL STATIC PRESSURE					HEATING AIRFLOW SETTING	Airflow Power	EXTERNAL STATIC PRESSURE				
			0.1	0.3	0.5	0.7	0.9			0.1	0.3	0.5	0.7	0.9
1.5 tons	360 CFM/ton	CFM Watts	542 / 652 38 / 59	547 / 559 101 / 78	548 / 407 175 / NA	547 / NA 137 / NA	541 / NA 175 / NA	390 CFM/ton	CFM Watts	586 46	599 80	600 115	599 153	595 192
	380 CFM/ton	CFM Watts	574 / 679 43 / 65	583 / 593 110 / 87	587 / 464 148 / 94	588 / 167 148 / 94	581 / NA 185 / NA	410 CFM/ton	CFM Watts	618 53	633 88	636 124	637 163	629 202
	400 CFM/ton	CFM Watts	605 / 705 49 / 71	618 / 626 82 / 85	624 / 513 119 / 96	625 / 325 158 / 101	618 / NA 196 / NA	430 CFM/ton	CFM Watts	650 59	665 96	669 134	672 174	660 212
	420 CFM/ton	CFM Watts	636 / 731 55 / 78	651 / 658 90 / 93	659 / 556 128 / 105	660 / 406 168 / 112	653 / NA 207 / NA	450 CFM/ton	CFM Watts	681 66	696 104	703 144	704 185	696 225
	360 CFM/ton	CFM Watts	723 / 809 75 / 101	743 / 746 115 / 118	754 / 666 158 / 133	756 / 563 201 / 144	748 / 428 242 / 153	390 CFM/ton	CFM Watts	780 94	800 137	809 182	811 227	802 268
2 tons †	380 CFM/ton	CFM Watts	761 / 843 86 / 113	782 / 784 128 / 131	793 / 710 172 / 146	796 / 617 216 / 159	788 / 500 259 / 168	410 CFM/ton	CFM Watts	818 106	838 151	848 198	851 244	842 287
	400 † CFM/ton	CFM Watts	799 / 877 97 / 125	820 / 821 141 / 144	832 / 751 187 / 161	835 / 666 233 / 174	827 / 561 276 / 183	430 CFM/ton	CFM Watts	856 119	876 167	887 215	889 262	881 307
	420 CFM/ton	CFM Watts	836 / 911 109 / 139	858 / 858 155 / 158	870 / 792 203 / 175	873 / 712 250 / 189	866 / 615 294 / 199	450 CFM/ton	CFM Watts	894 134	913 183	925 233	927 282	920 327
	360 CFM/ton	CFM Watts	892 / 979 130 / 168	914 / 930 179 / 189	927 / 869 229 / 207	930 / 796 278 / 222	923 / 709 324 / 232	390 CFM/ton	CFM Watts	964 164	986 218	997 271	1000 322	992 370
	380 CFM/ton	CFM Watts	939 / 1024 149 / 190	962 / 976 201 / 211	974 / 918 253 / 230	978 / 849 304 / 244	971 / 766 351 / 255	410 CFM/ton	CFM Watts	1013 188	1034 244	1045 299	1049 353	1040 400
2.5 tons	400 CFM/ton	CFM Watts	986 / 1070 170 / 215	1009 / 1023 225 / 236	1022 / 967 279 / 255	1026 / 901 332 / 270	1019 / 821 380 / 280	430 CFM/ton	CFM Watts	1063 214	1083 273	1095 331	1097 385	1089 434
	420 CFM/ton	CFM Watts	1035 / 1118 194 / 242	1058 / 1072 251 / 264	1071 / 1018 308 / 282	1074 / 953 362 / 297	1066 / 877 411 / 307	450 CFM/ton	CFM Watts	1114 243	1135 305	1145 365	1145 420	1135 469
	360 CFM/ton	CFM Watts	1065 / 1148 209 / 261	1088 / 1102 269 / 282	1101 / 1048 327 / 301	1103 / 985 382 / 315	1095 / 910 431 / 325	390 CFM/ton	CFM Watts	1160 272	1181 337	1190 397	1189 453	1157 486
	380 CFM/ton	CFM Watts	1126 / 1209 244 / 301	1149 / 1164 307 / 322	1160 / 1111 367 / 341	1161 / 1050 423 / 355	1151 / 978 472 / 364	410 CFM/ton	CFM Watts	1225 317	1244 384	1249 444	1230 486	1146 477
	400 CFM/ton	CFM Watts	1190 / 1271 285 / 347	1211 / 1227 350 / 368	1220 / 1175 412 / 386	1218 / 1115 467 / 399	1164 / 1046 483 / 408	430 CFM/ton	CFM Watts	1291 368	1305 434	1298 486	1217 476	1135 468
3 tons	420 CFM/ton	CFM Watts	1255 / 1334 331 / 397	1273 / 1289 397 / 418	1278 / 1239 459 / 435	1237 / 1180 483 / 448	1151 / 1113 475 / 455	450 CFM/ton	CFM Watts	1355 422	1361 485	1285 475	1206 467	1124 460

NOTES:  
1. † Factory Setting  
2. Status LED will blink once per 100 CFM requested. In torque mode, actual airflow may be lower.  
3. Torque mode will reduce airflow when static is above approximately 0.3" water column.  
4. All heating modes default to Constant CFM  
5. Cooling airflow values are with wet coil, no filter

### Minimum Heating Airflow Settings

MODEL NO.	MINIMUM HEATER AIRFLOW CFM - HEATER MATRIX					
	BAYEVAC05BK1AA 638/900	BAYEVAC08BK1AA 675/1000	BAYEVAC10BK1AA 675/1000	BAYEVAC15LG3AA 600/713	BAYEVCB15LG3AA 600/713	BAYEVCB20BK1AA 600/713
TAM7A0A24H21SB	638/900	675/1000	675/1000	600/713	600/713	600/713

WITH OUT HEAT PUMP / WITH HP  
SEE AIR HANDLER NAMEPLATE FOR APPROVED COMBINATIONS  
Ⓞ Heater not qualified for 208V when installed in horizontal left position without Heat Pump

**NOTE: Minimum auxiliary heating airflow is automatically configured by the air handler model and the auxiliary heater model number. This is not field adjustable.**

TAM7A0B30 AIRFLOW PERFORMANCE CONSTANT CFM MODE / CONSTANT TORQUE MODE														
OUTDOOR MULTIPLIER (TONS)	COOLING AIRFLOW SETTING	Airflow Power	EXTERNAL STATIC PRESSURE					HEATING AIRFLOW SETTING	Airflow Power	EXTERNAL STATIC PRESSURE				
			0.1	0.3	0.5	0.7	0.9			0.1	0.3	0.5	0.7	0.9
1.5 tons	360 CFM/ton	CFM Watts	591 / 685 30 / 41	560 / 538 58 / 56	533 / 299 87 / 63	509 / NA 118 / NA	482 / NA 150 / NA	390 CFM/ton	CFM Watts	630 35	609 65	588 96	566 128	540 161
	380 CFM/ton	CFM Watts	618 / 711 33 / 45	593 / 572 62 / 60	569 / 359 93 / 68	547 / NA 125 / NA	524 / NA 158 / NA	410 CFM/ton	CFM Watts	657 38	639 70	621 102	601 136	578 169
	400 CFM/ton	CFM Watts	645 / 738 37 / 49	624 / 605 67 / 65	604 / 410 99 / 73	584 / NA 132 / NA	562 / NA 166 / NA	430 CFM/ton	CFM Watts	683 42	669 75	653 109	636 143	614 177
	420 CFM/ton	CFM Watts	659 / 751 38 / 50	639 / 621 69 / 67	620 / 434 102 / 76	602 / NA 136 / NA	581 / NA 170 / NA	450 CFM/ton	CFM Watts	709 45	698 80	685 115	669 151	649 186
	360 CFM/ton	CFM Watts	750 / 840 51 / 66	741 / 726 87 / 85	731 / 575 125 / 96	719 / 344 163 / 99	704 / NA 200 / NA	390 CFM/ton	CFM Watts	800 60	797 99	791 139	781 180	766 219
2 tons †	380 CFM/ton	CFM Watts	784 / 874 57 / 72	779 / 764 95 / 92	771 / 622 134 / 104	762 / 419 174 / 107	748 / NA 213 / NA	410 CFM/ton	CFM Watts	834 66	834 107	830 150	822 192	810 233
	400 † CFM/ton	CFM Watts	818 / 908 62 / 79	816 / 802 103 / 100	811 / 667 144 / 113	803 / 484 186 / 117	792 / NA 227 / NA	430 CFM/ton	CFM Watts	868 73	871 116	869 161	864 205	853 248
	420 CFM/ton	CFM Watts	835 / 924 66 / 83	834 / 820 107 / 104	831 / 689 150 / 118	824 / 513 192 / 122	813 / 180 234 / 132	450 CFM/ton	CFM Watts	902 80	908 126	908 172	905 219	895 263
	360 CFM/ton	CFM Watts	904 / 1017 80 / 105	908 / 921 125 / 129	909 / 804 172 / 144	907 / 658 219 / 150	898 / 454 307 / 180	390 CFM/ton	CFM Watts	967 95	977 145	982 196	982 247	974 295
	380 CFM/ton	CFM Watts	947 / 1061 89 / 117	955 / 968 138 / 142	959 / 856 188 / 158	958 / 718 237 / 165	951 / 538 285 / 163	410 CFM/ton	CFM Watts	1012 106	1025 160	1033 214	1034 268	1027 318
2.5 tons	400 CFM/ton	CFM Watts	991 / 1106 100 / 131	1002 / 1016 152 / 156	1009 / 908 205 / 174	1010 / 779 257 / 182	1003 / 614 307 / 180	430 CFM/ton	CFM Watts	1057 119	1074 176	1084 234	1087 290	1078 342
	420 CFM/ton	CFM Watts	1013 / 1129 106 / 138	1026 / 1040 159 / 164	1034 / 934 214 / 182	1036 / 808 268 / 190	1029 / 650 318 / 189	450 CFM/ton	CFM Watts	1104 133	1124 194	1136 255	1139 314	1128 366
	360 CFM/ton	CFM Watts	1063 / 1182 120 / 156	1080 / 1095 177 / 182	1091 / 993 236 / 201	1094 / 873 292 / 211	1085 / 727 344 / 210	390 CFM/ton	CFM Watts	1147 147	1170 211	1184 276	1185 336	1170 389
	380 CFM/ton	CFM Watts	1120 / 1241 137 / 178	1140 / 1157 199 / 205	1153 / 1059 262 / 225	1156 / 945 321 / 235	1444 / 809 374 / 236	410 CFM/ton	CFM Watts	1208 168	1233 238	1247 306	1245 367	1223 418
	400 CFM/ton	CFM Watts	1179 / 1304 157 / 203	1202 / 1221 224 / 231	1216 / 1127 290 / 252	1216 / 1018 351 / 263	1198 / 890 403 / 265	430 CFM/ton	CFM Watts	1271 193	1298 267	1309 337	1300 398	1271 446
3 tons	420 CFM/ton	CFM Watts	1210 / 1337 168 / 217	1233 / 1255 237 / 246	1247 / 1162 305 / 267	1245 / 1055 306 / 279	1224 / 931 417 / 281	450 CFM/ton	CFM Watts	1338 221	1363 299	1368 369	1350 427	1314 472

**NOTES:**

- † Factory Setting
- Status LED will blink once per 100 CFM requested. In torque mode, actual airflow may be lower.
- Torque mode will reduce airflow when static is above approximately 0.35" water column.
- All heating modes default to Constant CFM
- Cooling airflow values are with wet coil, no filter

**Minimum Heating Airflow Settings**

MINIMUM HEATER AIRFLOW CFM - HEATER MATRIX							
MODEL NO.	BAYEAC05BK1AA BAYEAC05LG1AA TAM7A0B30H21SB	BAYEAC08BK1AA BAYEAC08LG1AA	BAYEAC10BK1AA BAYEAC10LG1AA	BAYEAC16LG3AA 680/808	BAYEAC15LG3AA 765/1063	BAYEVC15BK1AA 850/1105	BAYEVC20BK1AA --
	723/803	723/1020	765/1020	765/808	765/1063	850/1105	--
WITHOUT HEAT PUMP / WITH HP SEE AIR HANDLER NAMEPLATE FOR APPROVED COMBINATIONS							

**NOTE: Minimum auxiliary heating airflow is automatically configured by the air handler model and the auxiliary heater model number. This is not field adjustable.**



**TAM7A0C36 AIRFLOW PERFORMANCE  
CONSTANT CFM MODE / CONSTANT TORQUE MODE**

OUTDOOR MULTIPLIER (TONS)	COOLING AIRFLOW SETTING	Airflow Power	EXTERNAL STATIC PRESSURE						HEATING AIRFLOW SETTING	Airflow Power	EXTERNAL STATIC PRESSURE					
			0.1	0.3	0.5	0.7	0.9	0.1			0.3	0.5	0.7	0.9		
			2 tons	350 CFM/ton	CFM Watts	724 / 858 44 / 63	704 / 706 77 / 77	694 / 530 111 / 85			695 / 297 148 / 90	698 / 19 185 / 163	400 CFM/ton	CFM Watts	813 57	797 94
	370 CFM/ton	CFM Watts	759 / 892 49 / 69	744 / 747 84 / 84	738 / 585 120 / 93	740 / 387 158 / 98	742 / 84 197 / 135	420 CFM/ton	CFM Watts	849 63	837 102	835 142	841 185	849 228		
	390 CFM/ton	CFM Watts	795 / 924 54 / 75	784 / 787 91 / 91	780 / 635 129 / 102	783 / 460 169 / 107	786 / 213 209 / 120	440 CFM/ton	CFM Watts	884 69	876 110	876 153	883 197	891 242		
	410 CFM/ton	CFM Watts	830 / 957 60 / 82	823 / 826 99 / 99	822 / 683 139 / 111	824 / 524 180 / 117	827 / 329 222 / 123	450 CFM/ton	CFM Watts	902 72	895 114	897 158	902 203	912 249		
2.5 tons	350 CFM/ton	CFM Watts	879 / 1026 68 / 97	876 / 905 110 / 116	877 / 776 153 / 130	881 / 639 197 / 138	884 / 488 240 / 143	400 CFM/ton	CFM Watts	992 91	991 138	998 188	1005 237	1014 287		
	370 CFM/ton	CFM Watts	923 / 1067 77 / 107	924 / 952 121 / 127	927 / 830 167 / 142	932 / 702 213 / 151	936 / 565 258 / 157	420 CFM/ton	CFM Watts	1036 101	1040 152	1048 204	1057 256	1064 307		
	390 CFM/ton	CFM Watts	968 / 1110 86 / 118	971 / 999 133 / 139	977 / 883 181 / 155	983 / 762 230 / 166	987 / 634 277 / 172	440 CFM/ton	CFM Watts	1081 113	1089 167	1099 221	1110 277	1116 330		
	410 CFM/ton	CFM Watts	1012 / 1153 96 / 130	1020 / 1047 146 / 153	1028 / 935 197 / 170	1034 / 820 248 / 181	1039 / 700 298 / 187	450 CFM/ton	CFM Watts	1105 119	1113 174	1125 231	1136 287	1141 341		
3 tons †	350 CFM/ton	CFM Watts	1036 / 1175 102 / 137	1044 / 1070 153 / 160	1053 / 961 206 / 177	1060 / 848 257 / 189	1064 / 731 308 / 196	400 CFM/ton	CFM Watts	1175 140	1189 200	1203 261	1214 321	1215 377		
	370 † CFM/ton	CFM Watts	1090 / 1229 116 / 154	1102 / 1129 171 / 178	1114 / 1024 227 / 196	1122 / 916 282 / 209	1123 / 805 334 / 217	420 CFM/ton	CFM Watts	1234 159	1251 223	1267 288	1275 351	1272 406		
	390 CFM/ton	CFM Watts	1145 / 1285 132 / 173	1161 / 1188 191 / 198	1176 / 1087 251 / 218	1184 / 984 309 / 231	1184 / 877 363 / 240	440 CFM/ton	CFM Watts	1295 180	1315 250	1331 318	1335 381	1325 435		
	410 CFM/ton	CFM Watts	1204 / 1343 150 / 195	1223 / 1249 213 / 221	1238 / 1152 277 / 241	1246 / 1051 337 / 256	1242 / 948 391 / 264	450 CFM/ton	CFM Watts	1327 192	1348 264	1362 264	1364 396	1350 449		
3.5 tons	350 CFM/ton	CFM Watts	1199 / 1338 149 / 193	1218 / 1244 211 / 219	1233 / 1146 274 / 239	1241 / 1046 335 / 254	1237 / 942 389 / 262	400 CFM/ton	CFM Watts	1380 214	1403 289	1414 360	1409 422	1389 472		
	370 CFM/ton	CFM Watts	1269 / 1408 172 / 222	1291 / 1317 240 / 249	1307 / 1223 307 / 270	1311 / 1126 370 / 285	1300 / 1025 423 / 294	420 CFM/ton	CFM Watts	1459 248	1478 327	1481 397	1467 456	1395 476		
	390 CFM/ton	CFM Watts	1342 / 1481 200 / 255	1367 / 1393 273 / 282	1380 / 1301 343 / 304	1378 / 1206 405 / 320	1358 / 1108 456 / 329	440 CFM/ton	CFM Watts	1538 287	1550 366	1542 433	1504 478	1388 472		
	410 CFM/ton	CFM Watts	1419 / 1555 232 / 291	1442 / 1468 309 / 319	1449 / 1379 380 / 341	1438 / 1286 440 / 357	1394 / 1189 478 / 367	450 CFM/ton	CFM Watts	1575 307	1583 385	1570 450	1501 477	1385 470		

**NOTES:**  
 1. † Factory Setting  
 2. Status LED will blink once per 100 CFM requested. In torque mode, actual airflow may be lower.  
 3. Torque mode will reduce airflow when static is above approximately 0.35" water column.  
 4. All heating modes default to Constant CFM  
 5. Cooling airflow values are with wet coil, no filter

**Minimum Heating Airflow Settings**

MINIMUM HEATER AIRFLOW CFM - HEATER MATRIX					
BAYEVAC08BK1AA	BAYEVAC08BK1AA	BAYEVAC10LG3AA	BAYEVAC15BK1AA	BAYEVAC15BK1AA	BAYEVC20BK1AA
876979	927/1236	824979	927/1288	1050/1339	1236/1442
WITHOUT HEAT PUMP / WITH HP					
SEE AIR HANDLER NAMEPLATE FOR APPROVED COMBINATIONS					

**NOTE:** Minimum auxiliary heating airflow is automatically configured by the air handler model and the auxiliary heater model number. This is not field adjustable.

**TAM7A0C42 AIRFLOW PERFORMANCE  
CONSTANT CFM MODE / CONSTANT TORQUE MODE**

OUTDOOR MULTIPLIER (TONS)	COOLING AIRFLOW SETTING	Airflow Power	EXTERNAL STATIC PRESSURE						HEATING AIRFLOW SETTING	Airflow Power	EXTERNAL STATIC PRESSURE					
			0.1	0.3	0.5	0.7	0.9	0.1			0.3	0.5	0.7	0.9		
			2.5 tons	330 CFM/ton	CFM Watts	853/988	832/861	820/712			815/523	813/208	360 CFM/ton	CFM Watts	912	897
	350 CFM/ton	CFM Watts	896/1030	880/909	870/768	867/597	866/353	380 CFM/ton	CFM Watts	956	945	943	946	951	283	
	370 CFM/ton	CFM Watts	939/1072	926/956	920/823	918/665	918/458	400 CFM/ton	CFM Watts	1000	992	992	997	1002	304	
	390 CFM/ton	CFM Watts	983/1115	973/1003	969/877	968/729	969/546	420 CFM/ton	CFM Watts	1044	1040	1042	1047	1052	325	
	330 CFM/ton	CFM Watts	996/1128	987/1017	984/892	984/748	983/570	360 CFM/ton	CFM Watts	1071	1069	1072	1078	1082	339	
	350 CFM/ton	CFM Watts	1049/1180	1043/1074	1044/956	1045/821	1045/662	380 CFM/ton	CFM Watts	1126	1127	1132	1139	1142	368	
	370 CFM/ton	CFM Watts	1101/1233	1100/1132	1103/1019	1106/893	1107/747	400 CFM/ton	CFM Watts	1181	1186	1193	1200	1201	399	
	390 CFM/ton	CFM Watts	1156/1288	1159/1190	1164/1083	1167/964	1168/828	420 CFM/ton	CFM Watts	1239	1247	1256	1261	1259	432	
	330 CFM/ton	CFM Watts	1142/1274	1143/1175	1148/1067	1152/946	1152/808	360 CFM/ton	CFM Watts	1239	1247	1256	1261	1259	432	
	350 CFM/ton	CFM Watts	1208/1340	1212/1245	1220/1142	1224/1028	1222/901	380 CFM/ton	CFM Watts	1308	1319	1329	1331	1323	470	
	370 † CFM/ton	CFM Watts	1274/1408	1283/1317	1293/1218	1295/1110	1289/991	400 CFM/ton	CFM Watts	1381	1394	1401	1398	1332	475	
	390 CFM/ton	CFM Watts	1344/1479	1357/1390	1366/1295	1364/1192	1345/1080	420 CFM/ton	CFM Watts	1456	1468	1471	1443	1323	470	
	330 CFM/ton	CFM Watts	1299/1457	1309/1368	1318/1272	1321/1167	1313/1053	360 CFM/ton	CFM Watts	1423	1436	1441	1434	1326	470	
	350 CFM/ton	CFM Watts	1380/1538	1394/1542	1401/1360	1398/1260	1339/1153	380 CFM/ton	CFM Watts	1511	1520	1517	1436	1317	466	
	370 CFM/ton	CFM Watts	1466/1618	1479/1534	1481/1445	1451/1350	1327/1248	400 CFM/ton	CFM Watts	1598	1599	1536	1426	1308	461	
	390 CFM/ton	CFM Watts	1553/1693	1561/1611	1544/1525	1438/1432	1315/1333	420 CFM/ton	CFM Watts	1679	1620	1534	1417	1301	456	

**NOTES:**

- † Factory Setting
- Status LED will blink once per 100 CFM requested. In torque mode, actual airflow may be lower.
- Torque mode will reduce airflow when static is above approximately 0.35" water column.
- All heating modes default to Constant CFM
- Cooling airflow values are with wet coil, no filter

**Minimum Heating Airflow Settings**

MINIMUM HEATER AIRFLOW CFM - HEATER MATRIX			
MODEL NO.	BAYEAC08BK1AA 978/1083	BAYEAC10LG1AA 1035/1380	BAYEAC15LG3AA 1035/1495
TAM7A0C42H3SB	BAYEAC08BK1AA 978/1083	BAYEAC10LG1AA 1035/1380	BAYEAC15LG3AA 1035/1495
	BAYEAC08BK1AA 978/1083	BAYEAC10LG1AA 1035/1380	BAYEAC15LG3AA 1035/1495
	BAYEAC08BK1AA 978/1083	BAYEAC10LG1AA 1035/1380	BAYEAC15LG3AA 1035/1495

WITHOUT HEAT PUMP / WITH HP  
SEE AIR HANDLER NAMEPLATE FOR APPROVED COMBINATIONS

**NOTE: Minimum auxiliary heating airflow is automatically configured by the air handler model and the auxiliary heater model number. This is not field adjustable.**

**TAM7A0C48 AIRFLOW PERFORMANCE  
CONSTANT CFM MODE / CONSTANT TORQUE MODE**

OUTDOOR MULTIPLIER (TONS)	COOLING AIRFLOW SETTING	Airflow Power	EXTERNAL STATIC PRESSURE						HEATING AIRFLOW SETTING	Airflow Power	EXTERNAL STATIC PRESSURE					
			0.1	0.3	0.5	0.7	0.9	0.1			0.3	0.5	0.7	0.9		
			3 tons	330 CFM/ton	CFM Watts	1101 / 1127 92 / 117	1017 / 1020 143 / 143	1015 / 907 190 / 163			1006 / 786 232 / 173	994 / 654 270 / 174	380 CFM/ton	CFM Watts	1150 128	1155 184
	350 CFM/ton	CFM Watts	1067 / 1180 106 / 132	1073 / 1078 158 / 160	1072 / 972 208 / 180	1065 / 859 252 / 192	1053 / 738 292 / 194	400 CFM/ton	CFM Watts	1204 145	1210 203	1210 259	1207 310	1199 356		
	370 CFM/ton	CFM Watts	1122 / 1233 120 / 149	1129 / 1136 175 / 177	1128 / 1035 227 / 199	1122 / 929 274 / 212	1112 / 816 315 / 215	420 CFM/ton	CFM Watts	1259 162	1266 224	1267 282	1264 335	1258 384		
	390 CFM/ton	CFM Watts	1177 / 1287 136 / 167	1185 / 1194 194 / 196	1185 / 1097 248 / 219	1180 / 996 297 / 233	1170 / 890 341 / 238	440 CFM/ton	CFM Watts	1314 182	1322 246	1324 307	1322 363	1316 413		
	330 CFM/ton	CFM Watts	1164 / 1274 132 / 162	1171 / 1179 189 / 191	1171 / 1082 242 / 214	1165 / 980 291 / 227	1156 / 872 334 / 232	380 CFM/ton	CFM Watts	1323 185	1331 250	1333 308	1331 368	1325 418		
	350 CFM/ton	CFM Watts	1228 / 1336 152 / 185	1235 / 1246 212 / 215	1236 / 1153 268 / 238	1232 / 1056 319 / 253	1224 / 955 365 / 259	400 CFM/ton	CFM Watts	1388 211	1398 279	1400 343	1399 403	1395 457		
3.5 tons	370 CFM/ton	CFM Watts	1292 / 1400 174 / 210	1300 / 1313 237 / 241	1302 / 1224 296 / 265	1299 / 1132 350 / 281	1292 / 1036 399 / 288	420 CFM/ton	CFM Watts	1455 240	1465 312	1468 379	1469 441	1463 497		
	390 CFM/ton	CFM Watts	1356 / 1465 198 / 238	1366 / 1381 265 / 270	1369 / 1295 327 / 295	1367 / 1207 384 / 312	1361 / 1115 435 / 320	440 CFM/ton	CFM Watts	1523 272	1534 347	1538 418	1538 483	1534 542		
	330 CFM/ton	CFM Watts	1315 / 1443 212 / 228	1324 / 1358 247 / 260	1326 / 1271 307 / 284	1323 / 1181 362 / 301	1316 / 1088 412 / 308	380 CFM/ton	CFM Watts	1502 262	1514 337	1518 406	1518 471	1514 529		
	350 † CFM/ton	CFM Watts	1389 / 1517 212 / 262	1399 / 1436 280 / 295	1403 / 1352 343 / 321	1401 / 1266 402 / 338	1395 / 1177 455 / 346	400 CFM/ton	CFM Watts	1582 302	1594 382	1598 454	1598 522	1591 581		
4 tons †	370 CFM/ton	CFM Watts	1465 / 1594 245 / 301	1476 / 1516 317 / 335	1481 / 1435 384 / 361	1480 / 1352 446 / 379	1475 / 1267 502 / 388	420 CFM/ton	CFM Watts	1664 348	1675 421	1680 508	1678 577	1669 638		
	390 CFM/ton	CFM Watts	1543 / 1673 283 / 346	1555 / 1597 359 / 380	1560 / 1519 430 / 406	1560 / 1439 495 / 425	1554 / 1356 553 / 434	440 CFM/ton	CFM Watts	1748 400	1758 486	1760 565	1755 634	1708 668		
	330 CFM/ton	CFM Watts	1470 / 1599 247 / 304	1481 / 1521 319 / 337	1486 / 1440 387 / 364	1485 / 1357 449 / 382	1480 / 1272 505 / 391	380 CFM/ton	CFM Watts	1695 367	1706 451	1710 528	1707 598	1697 659		
	350 CFM/ton	CFM Watts	1558 / 1688 290 / 354	1570 / 1613 367 / 389	1575 / 1535 439 / 415	1575 / 1455 505 / 434	1568 / 1373 563 / 444	400 CFM/ton	CFM Watts	1790 428	1799 515	1799 594	1792 664	1700 661		
4.5 tons **	370 CFM/ton	CFM Watts	1649 / 1780 340 / 412	1661 / 1707 422 / 447	1666 / 1632 497 / 474	1664 / 1554 565 / 493	1655 / 1475 625 / 503	420 CFM/ton	CFM Watts	1885 496	1889 584	1884 662	1783 656	1683 648		
	390 CFM/ton	CFM Watts	1742 / 1873 397 / 477	1754 / 1801 483 / 512	1756 / 1728 561 / 539	1751 / 1653 630 / 558	1708 / 1576 666 / 567	440 CFM/ton	CFM Watts	1976 568	1973 655	1871 652	1765 643	1667 636		

**NOTES:**

- † Factory Setting
- Status LED will blink once per 100 CFM requested. In torque mode, actual airflow may be lower.
- Torque mode will reduce airflow when static is above approximately 0.4" water column.
- All heating modes default to Constant CFM
- Cooling airflow values are with wet coil, no filter
- \*\* Not an actual OD size.

**Minimum Heating Airflow Settings**

MODEL NO.	MINIMUM HEATER AIRFLOW CFM - HEATER MATRIX					
	BAYEVC08BK1AA 1652/1188	BAYEVC08BK1AA 1662/1200	BAYEVC08BK1AA 1000/1388	BAYEVC08BK1AA 1000/1388	BAYEVC08BK1AA 1125/1563	BAYEVC08BK1AA 1200/1625
TAM7A0C48H1SB	BAYEVC08BK1AA 1652/1188	BAYEVC08BK1AA 1662/1200	BAYEVC08BK1AA 1000/1388	BAYEVC08BK1AA 1000/1388	BAYEVC08BK1AA 1125/1563	BAYEVC08BK1AA 1200/1625
			WITHOUT HEAT PUMP / WITH HP			
						BAYEVC08BK1AA 1652/1188

SEE AIR HANDLER NAMEPLATE FOR APPROVED COMBINATIONS

**NOTE: Minimum heater heating airflow is automatically configured by the air handler model and the auxiliary heater model number. This is not field adjustable.**

**TAM7A0C60H51SB, TAM7B0C60H51SA AIRFLOW PERFORMANCE  
CONSTANT CFM MODE / CONSTANT TORQUE MODE**

OUTDOOR MULTIPLIER (TONS)	COOLING AIRFLOW SETTING	Airflow Power	EXTERNAL STATIC PRESSURE						HEATING AIRFLOW SETTING	Airflow Power	EXTERNAL STATIC PRESSURE					
			0.1	0.3	0.5	0.7	0.9	0.1			0.3	0.5	0.7	0.9		
			CFM/ton	CFM/ton	CFM/ton	CFM/ton	CFM/ton	CFM/ton			CFM/ton	CFM/ton	CFM/ton	CFM/ton	CFM/ton	
3.5 tons	370	CFM Watts	1316 / 1404	1328 / 1330	1328 / 1244	1320 / 1146	1308 / 1033	400	CFM Watts	1404	1424	1426	1419	1410		
	380	CFM Watts	1349 / 1435	1360 / 1362	1359 / 1278	1352 / 1183	1338 / 1074	410	CFM Watts	1437	1455	1457	1451	1441		
	390	CFM Watts	207 / 213	272 / 247	329 / 273	380 / 290	422 / 295	420	CFM Watts	218	289	351	407	456		
	CFM/ton	1381 / 1466	1391 / 1394	1390 / 1312	1383 / 1220	1370 / 1115	420	CFM Watts	1467	1487	1489	1482	1474			
	CFM/ton	220 / 225	286 / 260	344 / 287	396 / 304	439 / 310	430	CFM Watts	230	303	367	423	474			
	CFM/ton	1413 / 1496	1422 / 1426	1421 / 1346	1415 / 1256	1402 / 1154	430	CFM Watts	1500	1516	1519	1515	1505			
4 tons	370	CFM Watts	234 / 238	300 / 273	360 / 301	412 / 319	456 / 325	400	CFM Watts	244	317	382	441	491		
	380	CFM Watts	1485 / 1583	1493 / 1516	1493 / 1441	1486 / 1357	1475 / 1263	400	CFM Watts	1586	1600	1604	1601	1592		
	390	CFM Watts	269 / 278	337 / 314	398 / 342	452 / 362	498 / 370	420	CFM Watts	285	360	428	490	543		
	CFM/ton	1521 / 1618	1529 / 1552	1528 / 1479	1522 / 1396	1511 / 1305	410	CFM Watts	1622	1636	1640	1638	1629			
	CFM/ton	287 / 295	356 / 331	418 / 360	474 / 380	520 / 389	420	CFM Watts	303	379	449	512	566			
	CFM/ton	1557 / 1654	1564 / 1589	1564 / 1516	1559 / 1436	1548 / 1347	420	CFM Watts	1659	1672	1677	1675	1667			
4.5 tons**†	370	CFM Watts	306 / 313	376 / 350	440 / 379	496 / 400	544 / 409	420	CFM Watts	322	399	471	535	591		
	380	CFM Watts	1593 / 1689	1600 / 1625	1600 / 1554	1595 / 1475	1585 / 1389	430	CFM Watts	1695	1708	1713	1712	1705		
	390	CFM Watts	326 / 332	397 / 369	462 / 399	519 / 420	568 / 430	400	CFM Watts	342	421	493	559	616		
	CFM/ton	1652 / 1748	1659 / 1685	1660 / 1616	1655 / 1540	1646 / 1456	400	CFM Watts	1769	1782	1789	1788	1783			
	CFM/ton	360 / 365	433 / 403	500 / 433	559 / 454	610 / 465	420	CFM Watts	385	467	543	611	671			
	CFM/ton	1694 / 1789	1701 / 1727	1701 / 1659	1697 / 1548	1688 / 1503	410	CFM Watts	1811	1826	1831	1832	1827			
5 tons	370	CFM Watts	386 / 390	460 / 427	528 / 458	589 / 480	641 / 491	410	CFM Watts	411	495	572	643	704		
	380	CFM Watts	1736 / 1831	1742 / 1770	1744 / 1703	1740 / 1629	1732 / 1549	420	CFM Watts	1854	1869	1875	1877	1872		
	390	CFM Watts	413 / 416	489 / 454	558 / 484	620 / 506	673 / 518	400	CFM Watts	439	525	604	676	739		
	CFM/ton	1778 / 1873	1785 / 1813	1786 / 1747	1783 / 1675	1776 / 1597	430	CFM Watts	1898	1913	1919	1921	1918			
	CFM/ton	442 / 443	519 / 481	590 / 512	653 / 534	707 / 546	400	CFM Watts	468	556	637	711	777			
	CFM/ton	1826 / 1921	1833 / 1862	1835 / 1797	1832 / 1726	1826 / 1650	400	CFM Watts	1963	1978	1985	1988	1985			
6 tons	370	CFM Watts	475 / 476	555 / 515	627 / 545	692 / 568	748 / 580	420	CFM Watts	515	606	689	766	833		
	380	CFM Watts	1875 / 1971	1882 / 1912	1884 / 1848	1882 / 1778	1876 / 1703	410	CFM Watts	2014	2029	2037	2040	2038		
	390	CFM Watts	512 / 512	593 / 550	667 / 581	733 / 603	791 / 616	400	CFM Watts	554	647	733	811	880		
	CFM/ton	1924 / 2021	1932 / 1963	1935 / 1900	1933 / 1832	1927 / 1758	420	CFM Watts	2066	2082	2090	2093	2090			
	CFM/ton	551 / 550	634 / 588	710 / 619	777 / 641	836 / 654	400	CFM Watts	595	691	779	859	928			
	CFM/ton	1975 / 2073	1983 / 2015	1986 / 1953	1985 / 1886	1979 / 1814	430	CFM Watts	640	738	828	909	980			

- NOTES:
- † Factory Setting
  - Status LED will blink once per 100 CFM requested. In torque mode, actual airflow may be lower.
  - Torque mode will reduce airflow when static is above approximately 0.4" water column.
  - All heating modes default to Constant CFM
  - Cooling airflow values are with wet coil, no filter
  - \*\* Not an actual OD size.

**Minimum Heating Airflow Settings**

MODEL NO.	MINIMUM HEATER AIRFLOW CFM - HEATER MATRIX									
TAM7B0C60H51SA	BAYEVAC08BK1AA	BAYEVAC08BK1AA	BAYEVAC08BK1AA	BAYEVAC10LG3AA	BAYEVAC10LG3AA	BAYEVAC10LG3AA	BAYEVAC15BK1AA	BAYEVAC20BK1AA	BAYEVAC20BK1AA	BAYEVCC26BK1AA
TAM7A0C60H51SB	1063/1188	1063/1500	1125/1500	1000/1188	1125/1563	1250/1625	1500/1750	1500/1750	1625	1625
	WITHOUT HEAT PUMP / WITH HP									
	SEE AIR HANDLER NAMEPLATE FOR APPROVED COMBINATIONS									
	Ⓞ Heater not qualified for 208V when installed in horizontal left position without Heat Pump									

**NOTE: Minimum auxiliary heating airflow is automatically configured by the air handler model and the auxiliary heater model number. This is not field adjustable.**



**TRANE®**

# Electrical Data

Heater Attribute Data											
TAM7A0A24H21SB											
Heater Model No.	No. of Circuits	240 Volt					208 Volt				
		Capacity		Heater Amps per Circuit	Minimum Circuit Ampacity	Maximum Overload Protection	Capacity		Heater Amps per Circuit	Minimum Circuit Ampacity	Maximum Overload Protection
		kW	BTUH				kW	BTUH			
No Heater	0	-	-	3.0**	4	15	-	-	3.0**	4	15
BAYEVAC05++1	1	4.80	16400	20.0	29	30	3.60	12300	17.3	25	25
BAYEVAC08++1	1	7.68	26200	32.0	44	45	5.76	19700	27.7	38	40
BAYEVAC10++1 ①	1	9.60	32800	40.0	54	60	7.20	24600	34.6	47	50
BAYEVAC10LG3	1-3 PH	9.60	32800	23.1	32	35	7.20	24600	20.0	28	30

Note: \*\* Motor Amps  
 ① Heater not qualified for 208V when installed in horizontal left position without Heat Pump.

Heater Attribute Data											
TAM7A0B30H21SB											
Heater Model No.	No. of Circuits	240 Volt					208 Volt				
		Capacity		Heater Amps per Circuit	Minimum Circuit Ampacity	Maximum Overload Protection	Capacity		Heater Amps per Circuit	Minimum Circuit Ampacity	Maximum Overload Protection
		kW	BTUH				kW	BTUH			
No Heater	0	-	-	3.0**	4	15	-	-	3.0**	4	15
BAYEVAC05++1	1	4.80	16400	20.0	29	30	3.60	12300	17.3	25	25
BAYEVAC08++1	1	7.68	26200	32.0	44	45	5.76	19700	27.7	38	40
BAYEVAC10++1	1	9.60	32800	40.0	54	60	7.20	24600	34.6	47	50
BAYEVAC10LG3	1-3 PH	9.60	32800	23.1	32	35	7.20	24600	20.0	28	30
BAYEVBC15LG3	1-3 PH	14.40	42000	34.6	47	50	10.80	36900	30.0	41	45
BAYEVBC15BK1 - Circuit 1 ①	2	9.60	32800	40.0	54	60	7.20	24600	34.6	47	50
BAYEVBC15BK1 - Circuit 2		4.80	16400	20.0	25	25	3.60	12300	17.3	22	25

Note: \*\* Motor Amps  
 ① MCA and MOP for circuit 1 contains the motor amps

Notes:

1. See Air Handler nameplate for approved combinations of Air Handlers and Heaters
2. Heater model numbers may have additional suffix digits.



**TRANE®**

# Electrical Data

Heater Attribute Data											
TAM7A0C36H31SB											
Heater Model No.	No. of Circuits	240 Volt					208 Volt				
		Capacity		Heater Amps per Circuit	Minimum Circuit Ampacity	Maximum Overload Protection	Capacity		Heater Amps per Circuit	Minimum Circuit Ampacity	Maximum Overload Protection
		kW	BTUH				kW	BTUH			
No Heater	0	-	-	3.0**	4	15	-	-	3.0**	4	15
BAYEVAC05++1	1	4.80	16400	20.0	29	30	3.60	12300	17.3	25	25
BAYEVAC08++1	1	7.68	26200	32.0	44	45	5.76	19700	27.7	38	40
BAYEVAC10++1	1	9.60	32800	40.0	54	60	7.20	24600	34.6	47	50
BAYEVAC10LG3	1-3 PH	9.60	32800	23.1	32	35	7.20	24600	20.0	28	30
BAYEVBC15LG3	1-3 PH	14.40	42000	34.6	47	50	10.80	36900	30.0	41	45
BAYEVBC15BK1 - Circuit 1 ① BAYEVBC15BK1 - Circuit 2	2	9.60	32800	40.0	54	60	7.20	24600	34.6	47	50
		4.80	16400	20.0	25	25	3.60	12300	17.3	22	25
BAYEVBC20BK1 - Circuit 1 ① BAYEVBC20BK1 - Circuit 2	2	9.60	32800	40.0	54	60	7.20	24600	34.6	47	50
		9.60	32800	40.0	50	50	7.20	24600	34.6	43	45

Note: \*\* Motor Amps  
① MCA and MOP for circuit 1 contains the motor amps

Heater Attribute Data											
TAM7A0C42H31SB											
Heater Model No.	No. of Circuits	240 Volt					208 Volt				
		Capacity		Heater Amps per Circuit	Minimum Circuit Ampacity	Maximum Overload Protection	Capacity		Heater Amps per Circuit	Minimum Circuit Ampacity	Maximum Overload Protection
		kW	BTUH				kW	BTUH			
No Heater	0	-	-	3.0**	4	15	-	-	3.0**	4	15
BAYEVAC05++1	1	4.80	16400	20.0	29	30	3.60	12300	17.3	25	25
BAYEVAC08++1	1	7.68	26200	32.0	44	45	5.76	19700	27.7	38	40
BAYEVAC10++1	1	9.60	32800	40.0	54	60	7.20	24600	34.6	47	50
BAYEVAC10LG3	1-3 PH	9.60	32800	23.1	32	35	7.20	24600	20.0	28	30
BAYEVBC15LG3	1-3 PH	14.40	42000	34.6	47	50	10.80	36900	30.0	41	45
BAYEVBC15BK1 - Circuit 1 ① BAYEVBC15BK1 - Circuit 2	2	9.60	32800	40.0	54	60	7.20	24600	34.6	47	50
		4.80	16400	20.0	25	25	3.60	12300	17.3	22	25
BAYEVBC20BK1 - Circuit 1 ① BAYEVBC20BK1 - Circuit 2	2	9.60	32800	40.0	54	60	7.20	24600	34.6	47	50
		9.60	32800	40.0	50	50	7.20	24600	34.6	43	45

Note: \*\* Motor Amps  
① MCA and MOP for circuit 1 contains the motor amps

Notes:

1. See Air Handler nameplate for approved combinations of Air Handlers and Heaters
2. Heater model numbers may have additional suffix digits.



# Electrical Data

Heater Attribute Data											
TAM7A0C48H41SB											
Heater Model No.	No. of Circuits	240 Volt					208 Volt				
		Capacity		Heater Amps per Circuit	Minimum Circuit Ampacity	Maximum Overload Protection	Capacity		Heater Amps per Circuit	Minimum Circuit Ampacity	Maximum Overload Protection
		kW	BTUH				kW	BTUH			
No Heater	0	-	-	4.2**	5	15	-	-	4.2**	5	15
BAYEVAC05++1	1	4.80	16400	20.0	30	30	3.60	12300	17.3	27	30
BAYEVAC08++1	1	7.68	26200	32.0	45	45	5.76	19700	27.7	40	40
BAYEVAC10++1	1	9.60	32800	40.0	55	60	7.20	24600	34.6	49	50
BAYEVAC10LG3	1-3 PH	9.60	32800	23.1	34	35	7.20	24600	20.0	30	30
BAYEVBC15LG3	1-3 PH	14.40	42000	34.6	48	50	10.80	36900	30.0	42	45
BAYEVBC15BK1 - Circuit 1 ① BAYEVBC15BK1 - Circuit 2	2	9.60	32800	40.0	55	60	7.20	24600	34.6	49	50
		4.80	16400	20.0	25	25	3.60	12300	17.3	22	25
BAYEVBC20BK1 - Circuit 1 ① BAYEVBC20BK1 - Circuit 2	2	9.60	32800	40.0	55	60	7.20	24600	34.6	49	50
		9.60	32800	40.0	50	50	7.20	24600	34.6	43	45
BAYEVCC25BK1 - Circuit 1 ① BAYEVCC25BK1 - Circuit 2 BAYEVCC25BK1 - Circuit 3	3	9.60	32800	40.0	55	60	7.20	24600	34.6	49	50
		9.60	32800	40.0	50	50	7.20	24600	34.6	43	45
		4.80	16400	20.0	25	25	3.60	12300	17.3	22	25

Note: \*\* Motor Amps  
① MCA and MOP for circuit 1 contains the motor amps

Notes:

1. See Air Handler nameplate for approved combinations of Air Handlers and Heaters
2. Heater model numbers may have additional suffix digits.



**TRANE®**

# Electrical Data

Heater Attribute Data											
TAM7A0C60H51SB, TAM7B0C60H51SA											
Heater Model No.	No. of Circuits	240 Volt					208 Volt				
		Capacity		Heater Amps per Circuit	Minimum Circuit Ampacity	Maximum Overload Protection	Capacity		Heater Amps per Circuit	Minimum Circuit Ampacity	Maximum Overload Protection
		kW	BTUH				kW	BTUH			
No Heater	0	-	-	5.5**	7	15	-	-	5.5**	7	15
BAYEVAC05++1	1	4.80	16400	20.0	32	35	3.60	12300	17.3	29	30
BAYEVAC08++1	1	7.68	26200	32.0	47	50	5.76	19700	27.7	41	45
BAYEVAC10++1	1	9.60	32800	40.0	57	60	7.20	24600	34.6	50	50
BAYEVAC10LG3	1-3 PH	9.60	32800	23.1	35	35	7.20	24600	20.0	31	35
BAYEVBC15LG3	1-3 PH	14.40	42000	34.6	49	50	10.80	36900	30.0	44	45
BAYEVBC15BK1 - Circuit 1 ① BAYEVBC15BK1 - Circuit 2	2	9.60	32800	40.0	57	60	7.20	24600	34.6	50	50
		4.80	16400	20.0	25	25	3.60	12300	17.3	22	25
BAYEVBC20BK1 - Circuit 1 ① BAYEVBC20BK1 - Circuit 2	2	9.60	32800	40.0	57	60	7.20	24600	34.6	50	50
		9.60	32800	40.0	50	50	7.20	24600	34.6	43	45
BAYEVCC25BK1 ② - Circuit 1 ① BAYEVCC25BK1 - Circuit 2 BAYEVCC25BK1 - Circuit 3	3	9.60	32800	40.0	57	60	7.20	24600	34.6	50	50
		9.60	32800	40.0	50	50	7.20	24600	34.6	43	45
		4.80	16400	20.0	25	25	3.60	12300	17.3	22	25

Note: \*\* Motor Amps  
 ① MCA and MOP for circuit 1 contains the motor amps  
 ② Heater not qualified for 208V when installed in horizontal left position without Heat Pump.

Notes:

1. See Air Handler nameplate for approved combinations of Air Handlers and Heaters
2. Heater model numbers may have additional suffix digits.





# Electrical Data

---

## AIR HANDLER ELECTRIC HEATER PRESSURE DROP

Air handler electric heater pressure drop is negligible for the heaters and is included in the airflow data for the Series 7 air handlers.



**TRANE®**

# Electrical Data

## TAM7 AIR HANDLER AND HEATER MATRIX - ALLOWBLE COMBINATIONS

APPROVED AIR HANDLER - HEATER COMBINATIONS									
AIR HANDLER	HEATER MODEL NUMBER BAYEV-								
MODEL NUMBER	AC05BK1AA 4.80 Kw BK	AC05LG1AA 4.80 Kw LG	AC08BK1AA 7.68 Kw BK	AC08LG1AA 7.68 Kw LG	AC10BK1AA 9.60 Kw BK	AC10LG1AA 9.60 Kw LG	BC15BK1AA 14.40 Kw BK	BC20BK1AA 19.20 Kw BK	CC25BK1AA 24.00 Kw BK
TAM7A0A24H21SB	Y	Y	Y	Y	Y ①	Y ①	-	-	-
TAM7A0B30H21SB	Y	Y	Y	Y	Y	Y	Y	-	-
TAM7A0C36H31SB	Y	Y	Y	Y	Y	Y	Y	-	-
TAM7A0C42H31SB	Y	Y	Y	Y	Y	Y	Y	Y	-
TAM7A0C48H41SB	Y	Y	Y	Y	Y	Y	Y	Y	Y
TAM7A0C60H51SB	Y	Y	Y	Y	Y	Y	Y	Y	Y ①
TAM7B0C60H51SA									

① Heater is not qualified for 208V when installed in horizontal left position without HP.

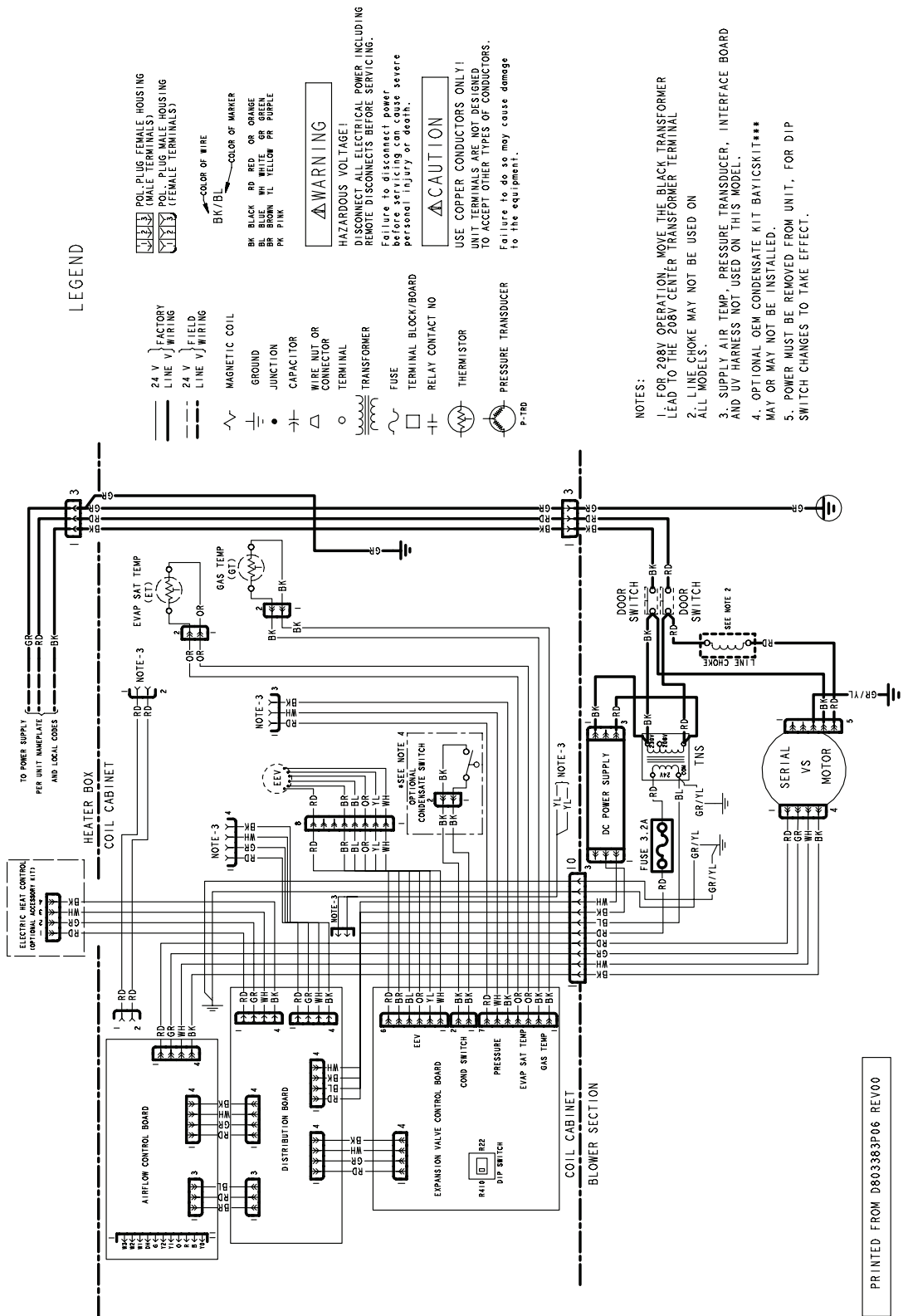
APPROVED AIR HANDLER - HEATER COMBINATIONS		
AIR HANDLER	HEATER MODEL NUMBER BAYEV-	
MODEL NUMBER	AC10LG3AA 9.60 Kw LG	BC15LG3AA 14.4 Kw LG
TAM7A0A24H21SB	Y	-
TAM7A0B30H21SB	Y	Y
TAM7A0C36H31SB	Y	Y
TAM7A0C42H31SB	Y	Y
TAM7A0C48H41SB	Y	Y
TAM7A0C60H51SB	Y	Y
TAM7B060CH51SA		



TRANE®

# Electrical Data

## WIRING DIAGRAM FOR TAM7 AIR HANDLERS



### LEGEND

- 24 V LINE V WIRING (Factory)
  - 24 V LINE V WIRING (Field)
  - MAGNETIC COIL
  - GROUND
  - JUNCTION
  - WIRE NUT OR CONNECTOR
  - TERMINAL
  - TRANSFORMER
  - FUSE
  - RELAY CONTACT NO
  - RELAY CONTACT NO
  - TERMISTOR
  - P-TR PRESSURE TRANSDUCER
- POL. PLUG FEMALE HOUSING (MALE TERMINALS)  
 POL. PLUG MALE HOUSING (FEMALE TERMINALS)  
 BK/BL ← COLOR OF WIRE  
 BK BLACK RD RED OR ORANGE  
 BR BROWN YL YELLOW OR SILVER  
 PK PINK
- WARNING**  
HAZARDOUS VOLTAGE!  
DISCONNECT ALL ELECTRICAL POWER INCLUDING REMOTE DISCONNECTS BEFORE SERVICING.  
Failure to disconnect power before servicing can cause severe personal injury or death.
- CAUTION**  
USE COPPER CONDUCTORS ONLY!  
UNIT TERMINALS ARE NOT DESIGNED TO ACCEPT OTHER TYPES OF CONDUCTORS.  
Failure to do so may cause damage to the equipment.

### NOTES:

- FOR 208V OPERATION, MOVE THE BLACK TRANSFORMER LEAD TO THE 208V CENTER TRANSFORMER TERMINAL
- LINE CHOKES MAY NOT BE USED ON ALL MODELS.
- SUPPLY AIR TEMP, PRESSURE TRANSDUCER, INTERFACE BOARD AND UV HARNESS NOT USED ON THIS MODEL.
- OPTIONAL OEM CONDENSATE KIT BAYCISKIT\*\*\* MAY OR MAY NOT BE INSTALLED.
- POWER MUST BE REMOVED FROM UNIT, FOR DIP SWITCH CHANGES TO TAKE EFFECT.

PRINTED FROM D803383P06 REV00

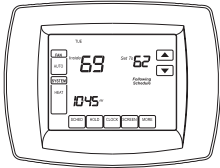


**TRANE®**

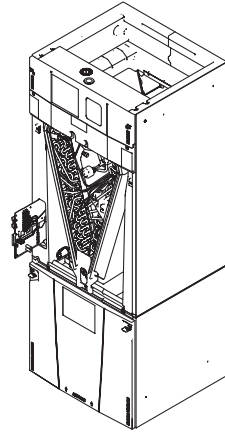
# Field Wiring

## Single Stage Cooling

## Air Conditioner

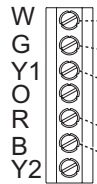
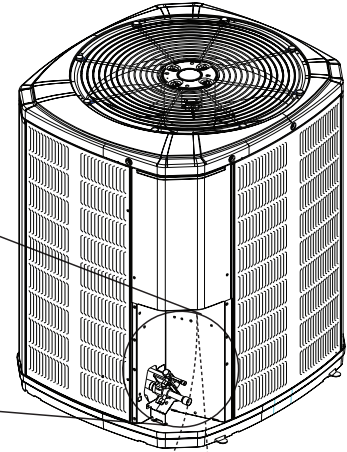
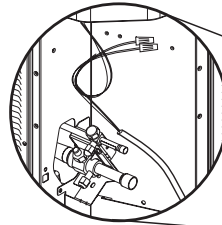


Comfort Control



Air Handler

Neatly bundle all low voltage wires behind the service valve cover as shown.



..... Field wiring

White  
Green  
Yellow  
Red  
Blue



B - Blue  
Y1 - Yellow

Blue

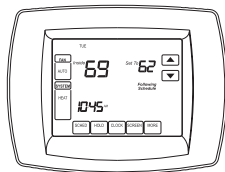
Yellow

- \* For multiple stages of electric heat, jumper W1, W2, and W3 together if comfort control has only one stage of heat.
- Y1 and YO connections must be made as shown for freeze protection and internally mounted condensate overflow circuits to work properly.
- Internally mounted condensate switch is optional and must be ordered separately.
- If 3rd party condensate overflow switches are installed, they should be wired in series between YO and Y to the outdoor unit.

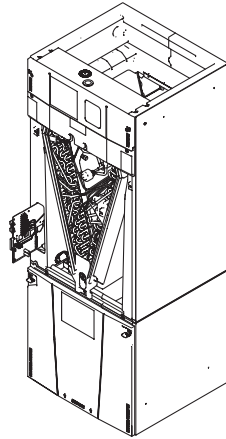
# Field Wiring

Single Stage HP

Heat Pump

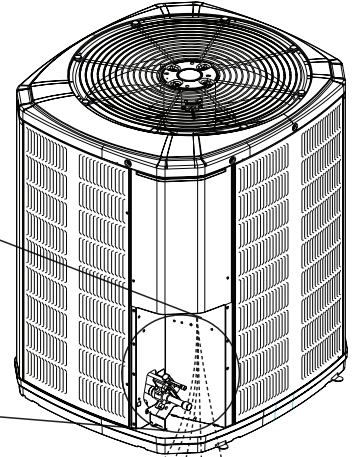
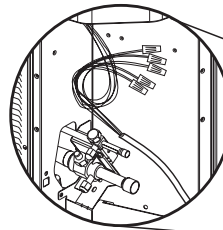


Comfort Control



Air Handler

Neatly bundle all low voltage wires behind the service valve cover as shown.



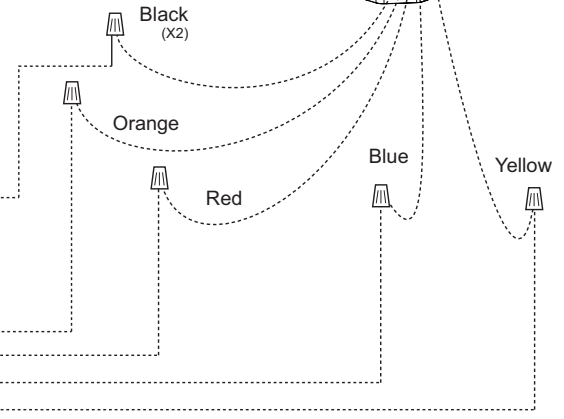
X2  
W  
G  
Y1  
O  
R  
B

White  
Green  
Yellow  
Orange  
Red  
Blue

..... Field wiring

W3 \*  
W2  
W1  
BK  
G  
Y2  
Y1 (In)  
O  
R  
B  
YO (Out)

W1 - White  
O - Orange  
R - Red  
B - Blue  
Y1 - Yellow



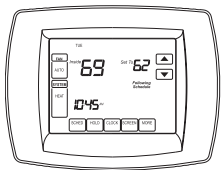
- \* For multiple stages of electric heat, jumper W1, W2, and W3 together if comfort control has only one stage of heat
- Y1 and YO connections must be made as shown for freeze protection and internally mounted condensate overflow circuits to work properly
- Internally mounted condensate switch is optional and must be ordered separately
- If a 3rd party condensate overflow switch is installed, it should be wired in series between YO and Y to the outdoor unit



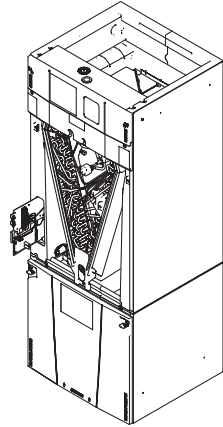
**TRANE**<sup>®</sup>

# Field Wiring

## Two Stage Cooling



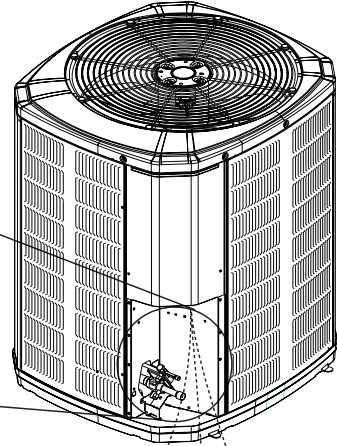
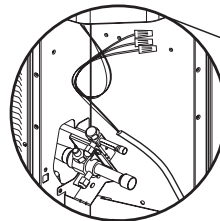
Comfort Control



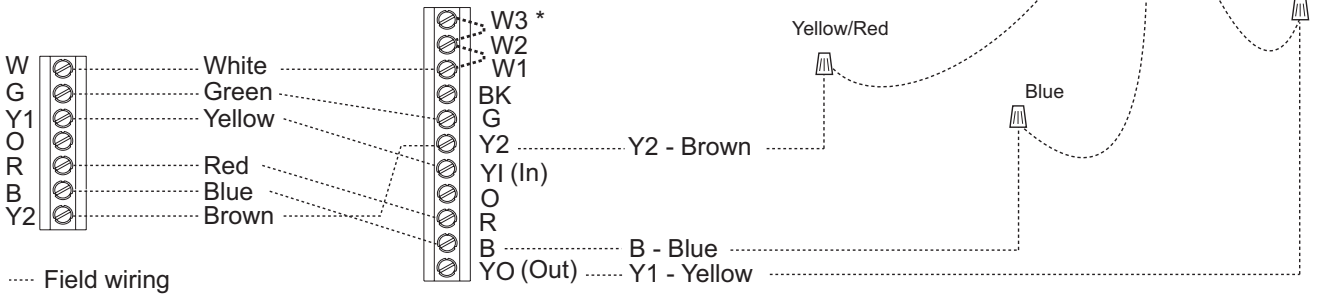
Air Handler

## Air Conditioner

Neatly bundle all low voltage wires behind the service valve cover as shown.

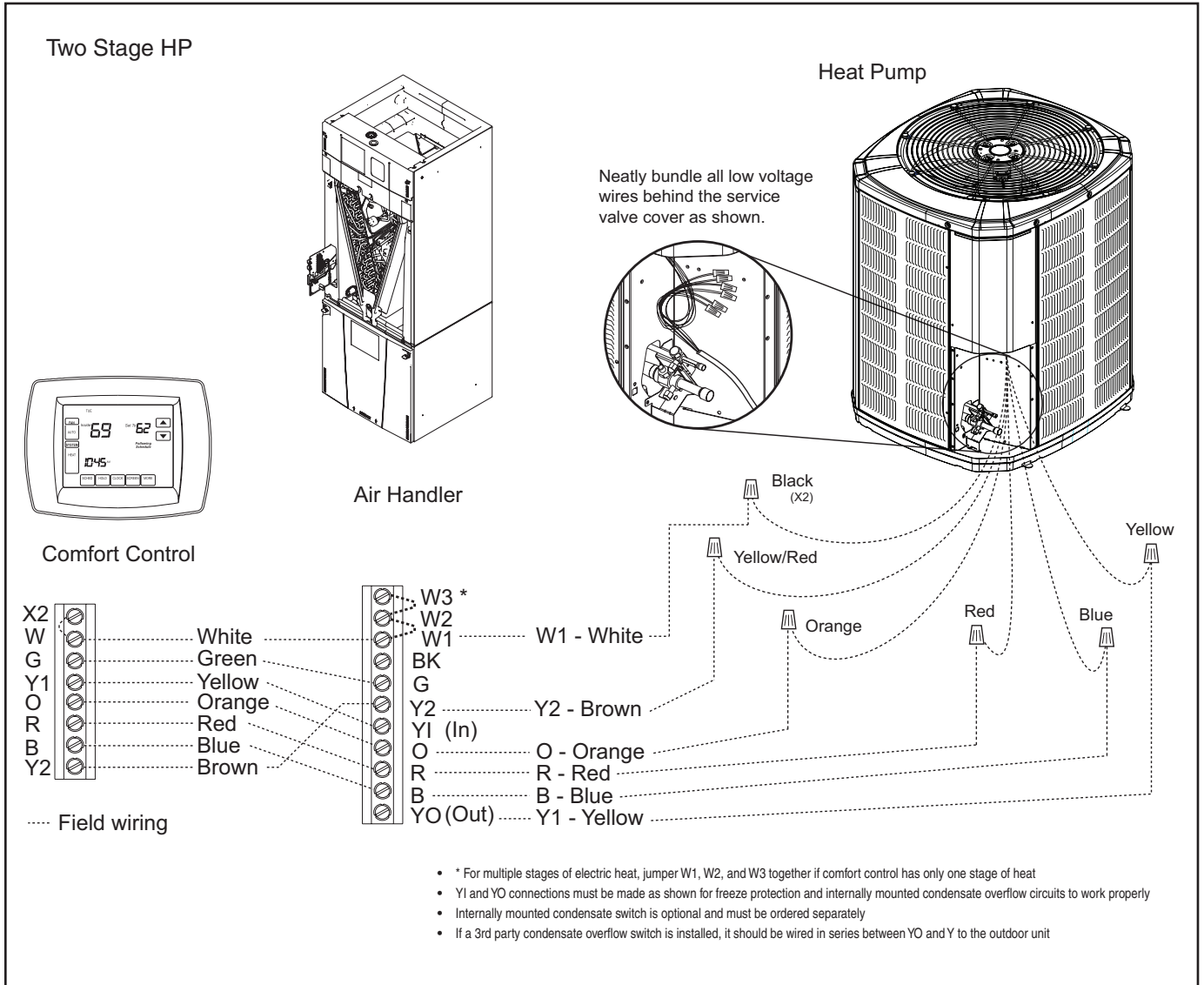


Yellow/Black



- \* For multiple stages of electric heat, jumper W1, W2, and W3 together if comfort control has only one stage of heat.
- Y1 and YO connections must be made as shown for freeze protection and internally mounted condensate overflow circuits to work properly.
- Internally mounted condensate switch is optional and must be ordered separately.
- If 3rd party condensate overflow switches are installed, they should be wired in series between YO and Y to the outdoor unit.

# Field Wiring



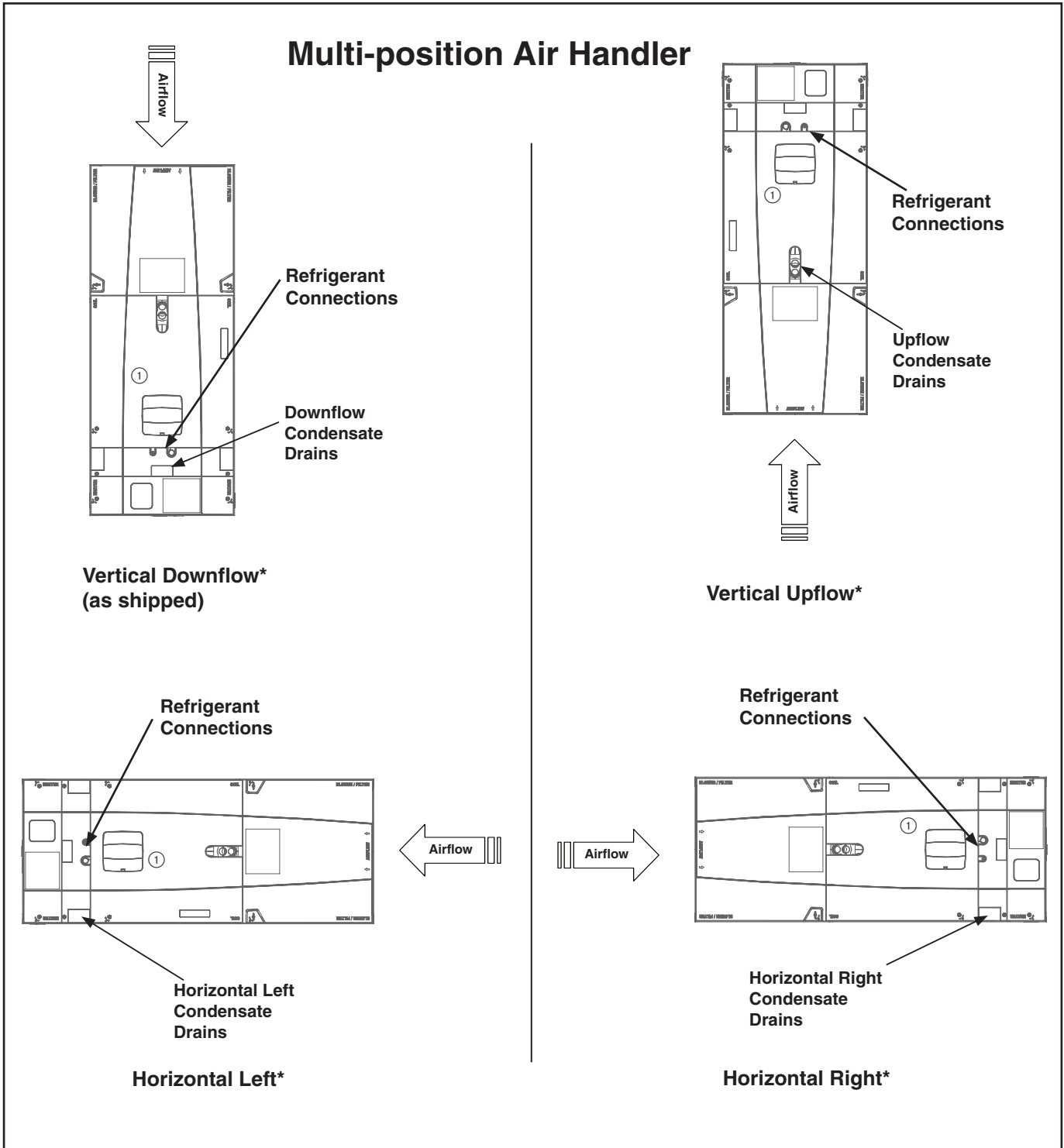


**TRANE®**

# TAM7 Convertibility

\* Note: No internal modifications required for any position.

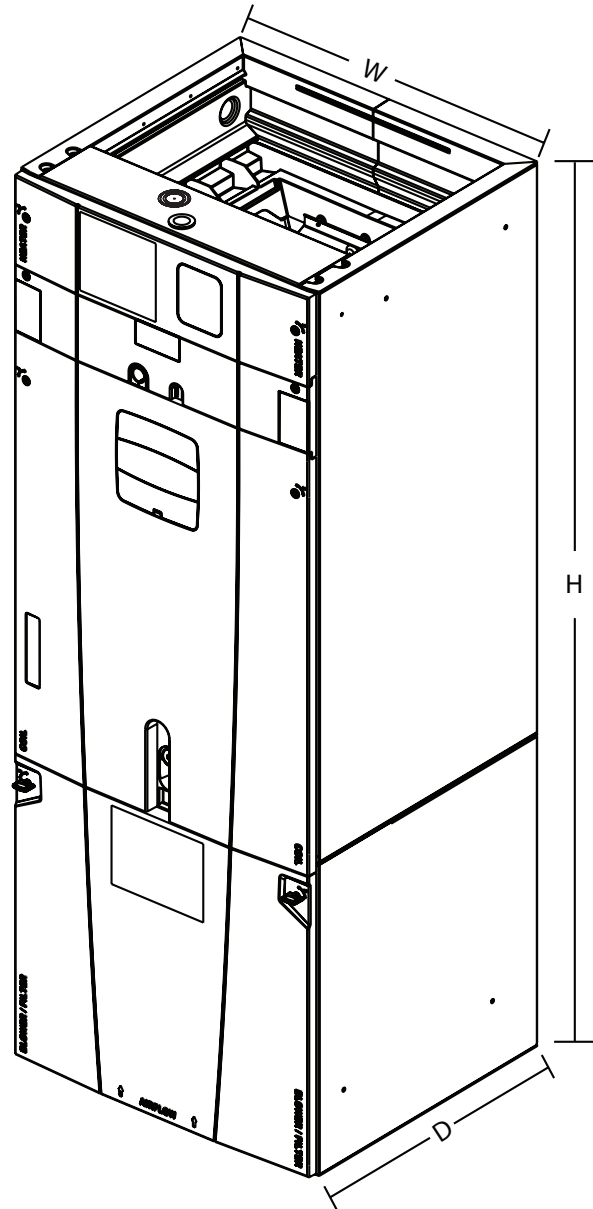
① Badge rotation will keep brand in correct position





## Dimensions

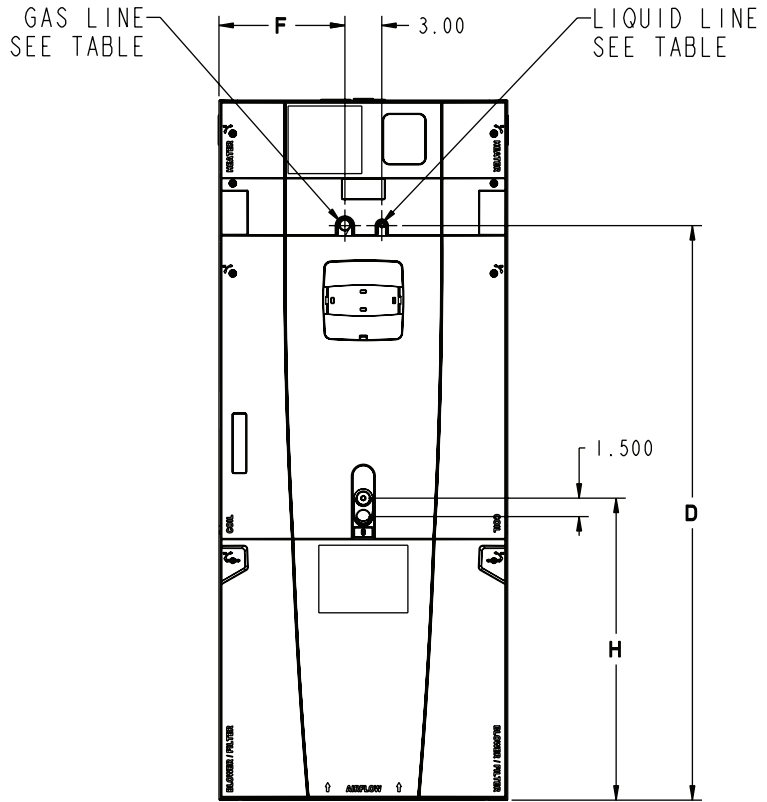
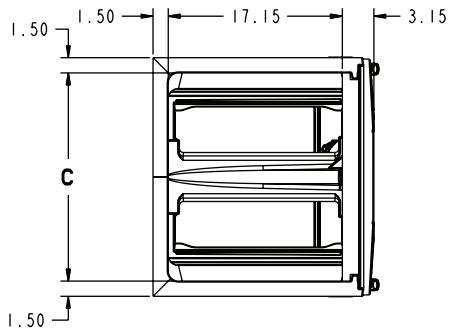
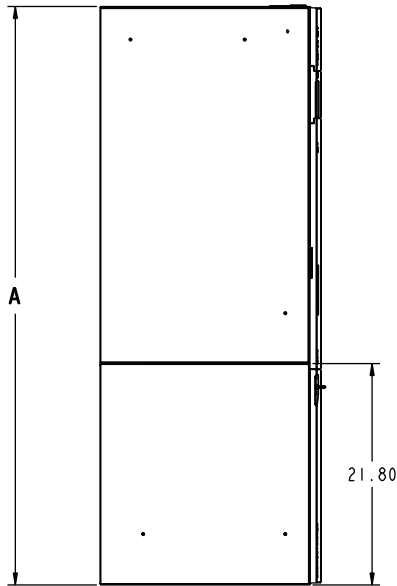
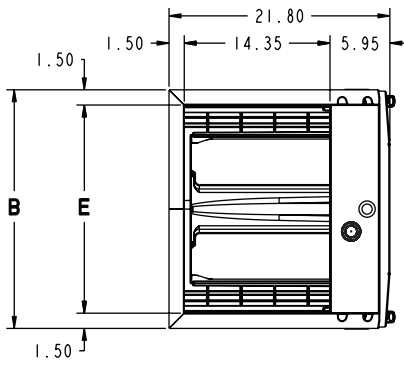
### TAM7 AIR HANDLER DIMENSIONAL DATA



Model No.	H	W	D
TAM7A0A24H21SB	49.9	17.5	21.75
TAM7A0B30H21SB	55.7	21.3	21.75
TAM7A0C36H31SB	56.9	23.5	21.75
TAM7A0C42H31SB	56.9	23.5	21.75
TAM7A0C48H41SB	61.7	23.5	21.75
TAM7A0C60H51SB TAM7B0C60H51SA	61.7	23.5	21.75

TAM7 AIR HANDLERS ARE ALL TWO  
PIECE CABINETS.

# TAM7 OUTLINE DRAWING



MINIMUM UNIT CLEARANCE TABLE		
	TO COMBUSTIBLE MATERIAL (REQUIRED)	SERVICE CLEARANCE (RECOMMENDED)
SIDES	0"	2"
FRONT	0"	21"
BACK	0"	0"
INLET DUCT	0"	
OUTLET DUCT	0"	

MODEL NO.	A	B	C	D	E	F	H	FLOW CONTROL	GAS LINE BRAZE	LIQ LINE BRAZE
TAM7A0A24H21SB	49.9	17.5	14.5	39.6	14.5	7.3	24.4	EEV	3/4	3/8
TAM7A0B30H21SB	55.7	21.3	18.4	45.5	18.4	9.2	24.8	EEV	3/4	3/8
TAM7A0C36H31SB	56.9	23.5	20.5	46.7	20.5	10.3	24.2	EEV	7/8	3/8
TAM7A0C42H31SB	56.9	23.5	20.5	46.7	20.5	10.3	24.5	EEV	7/8	3/8
TAM7A0C48H41SB	61.7	23.5	20.5	51.5	20.5	10.3	24.9	EEV	7/8	3/8
TAM7A0C60H51SB TAM7B0C60H51SA	61.7	23.5	20.5	51.5	20.5	10.3	24.9	EEV	7/8	3/8





---

05/12

---

---

**Trane**  
**6200 Troup Highway**  
**Tyler, TX 75707**  
**[www.trane.com](http://www.trane.com)**

*The manufacturer has a policy of continuous product and product data improvement and it reserves the right to change design and specifications without notice.*